

Kit Contents		
Description	Part No	Pcs
Shock absorber	YA 965	1
Tie-rod	00231-01	3
Sticker set Öhlins		1
Owner's Manual	07242-07	1

Note!

Please note that there can be small differences between your product and the images in these instructions.

Note!

Please note that during storage and transport, especially at high ambient temperature, some of the oil and grease used for assembly may leak and stain the packaging. This will not cause damage to the product, wipe off the excessive oil or grease with a cloth.

Note!

Before you install this product, check the kit contents. If anything is missing, please contact an Öhlins dealer.

Warning!

Before you install this product, read the Öhlins Owner's manual. This product is an important part of the vehicle and the vehicle stability.

Shock absorber for Yamaha R9

YA 965

Mounting Instructions

MOUNTING INSTRUCTIONS

⚠ Warning!

We strongly recommend to let an Öhlins dealer install this product.

⚠ Warning!

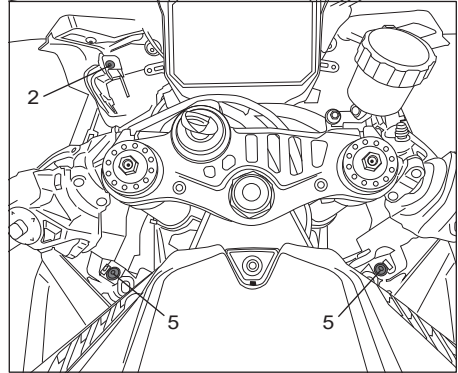
If you work with a lifted vehicle, make sure that it is safely supported to prevent it from tipping over.

👁 Note!

When you work with this product, see the vehicle service manual for vehicle specific procedures and important data.

👁 Note!

Before you install this product clean the vehicle.



1

Put the motorcycle on a work stand so that the rear wheel barely touches the ground.

2

Remove the panels below the handle bars, up to the dashboard, on left and right hand side.

3

Remove the passenger and rider seats.

4

Remove the panels below the tank.

5

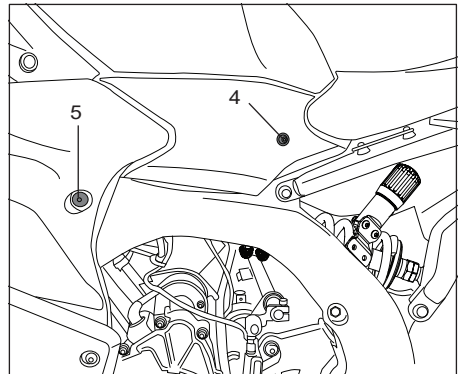
Remove the panel screws.

6

Flex the side fairings out carefully, to access the screws holding the tank. Remove these screws and the ones in the front and back of the tank.

7

Lift the tank upwards a little to be able to disconnect hoses and wires. Then remove the tank.



👁 Note!

Please look in the bike's work shop manual also if needed.

MOUNTING INSTRUCTIONS

8

Remove the big nut at the upper shock absorber mounting.

9

Remove the std spring preload adjuster together with its bracket.

10

Remove the lower shock absorber screw and pull out the shock absorber.

11

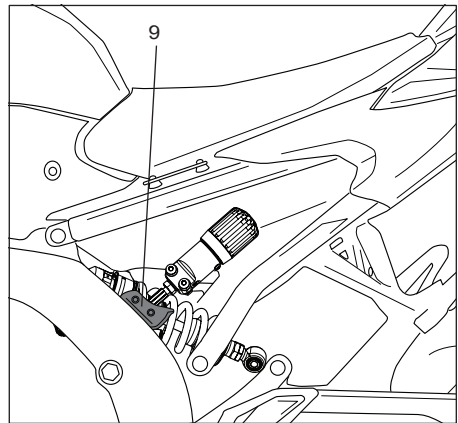
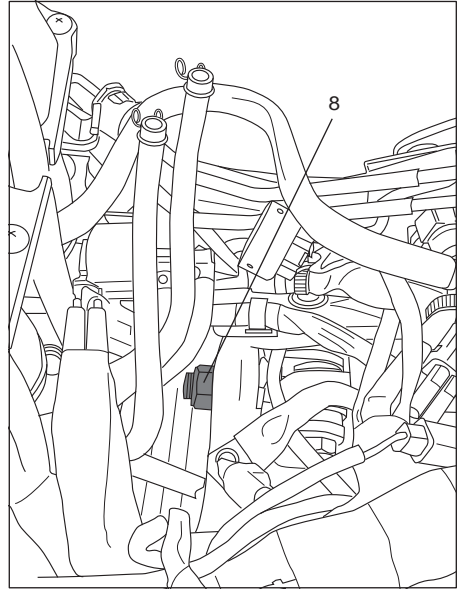
Move the clevis from the std shock absorber to the Öhlins.

12

Mount everything back in reverse order.

Note!

Check that the preload adjuster hose has smooth bends and use supplied Tie-raps to fasten it.



ADJUSTMENTS

⚠ Warning!

Before you ride/drive, always make sure that the setup is according to the recommended setup data. Read about adjustments and setting up in the Öhlins Owner's Manual before you make any adjustments. Contact an Öhlins dealer if you have any questions about setting up.

SETUP DATA

Length	326 +4/-2	mm
Stroke	62	mm
Rebound	14	clicks
Compression	12	clicks
Spring (part.no.)	21040-34	
Spring preload	10	mm
Spring rate	100	N/mm
Spring free length	160	mm

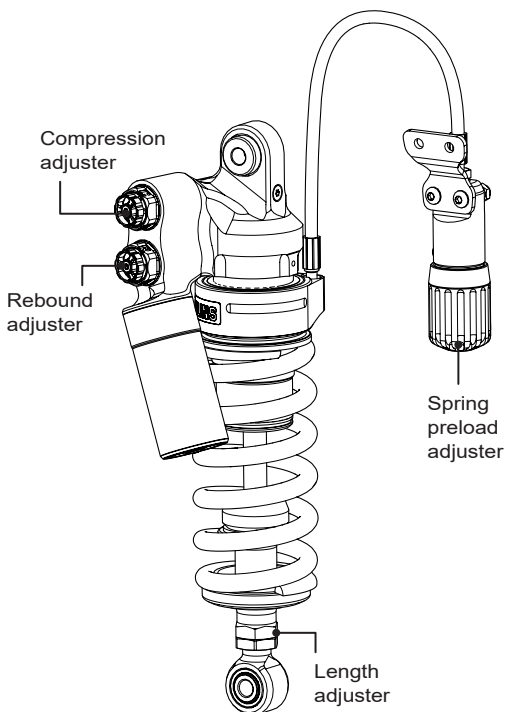
Recommended Free sag and Ride height

R1-R2		mm
R1-R3	29	mm
F1-F2		mm
F1-F3	41	mm

Öhlins products are subject to continuous improvement and development, therefore, although these instructions include the most up-to-date information available at the time of printing, minor updates may occur.

To find the latest information contact an Öhlins distributor. Please contact Öhlins if you have any questions regarding the contents in this document.

Part no. MI_YA965_0
Issued 2024-11-06



© Öhlins Racing AB. All rights reserved. Any reprinting or unauthorized use without the written permission of Öhlins Racing AB is prohibited.

Öhlins Racing AB
Box 722
S-194 27 Upplands Väsby, Sweden
Phone +46 8 590 025 00
fax +46 8 590 025 80



www.ohlins.com